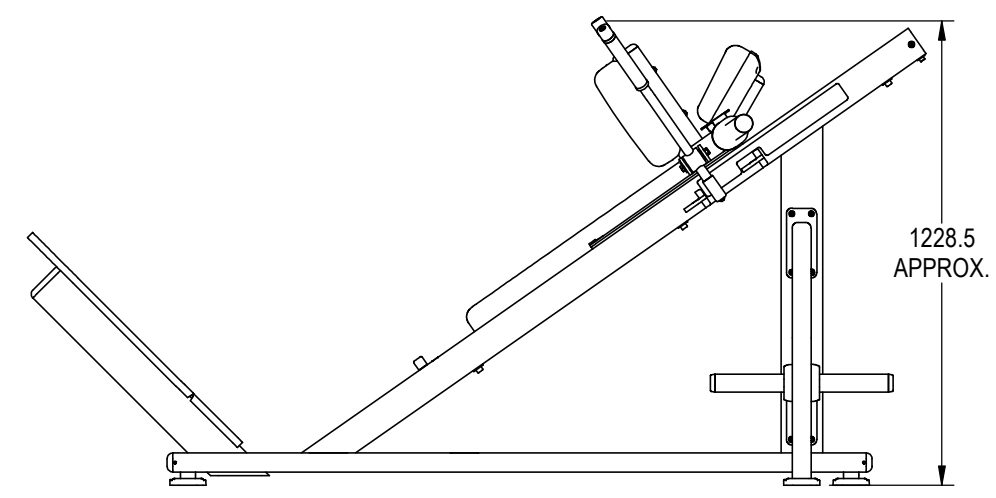
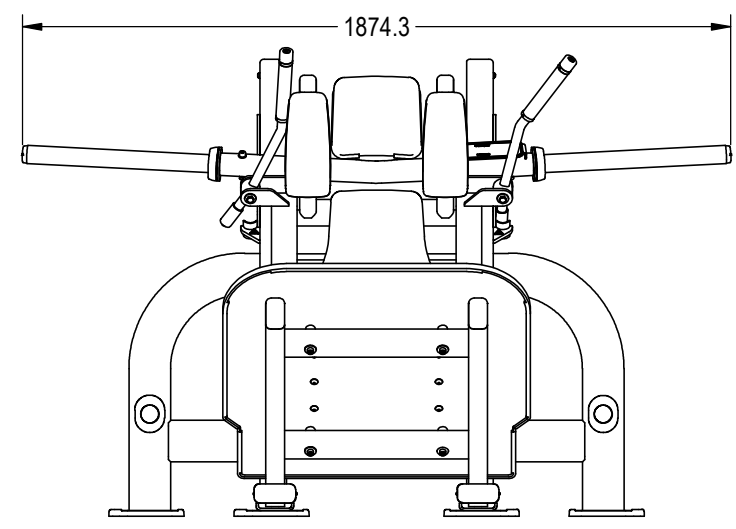
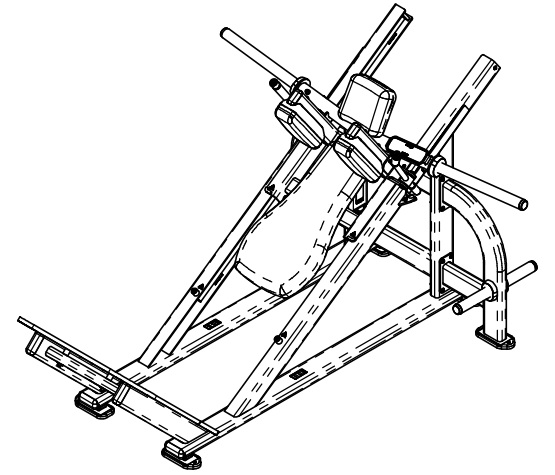
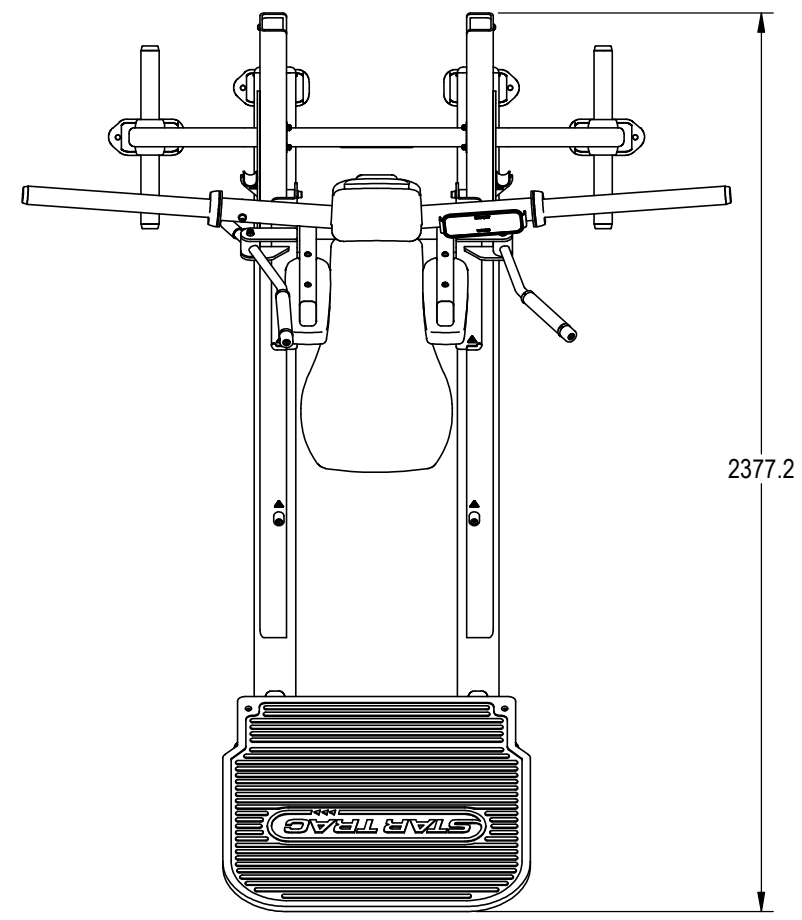


NOTES:

REVISION HISTORY				
REV	DATE	DESCRIPTION	ECO	BY
A	7/23/2013	RELEASED @ LA	14279	LA



DOCUMENT STATUS:

NOTICE OF PROPRIETARY INFORMATION
THIS DOCUMENT SHALL NOT BE REPRODUCED NOR SHALL THE INFORMATION CONTAINED HEREIN BE USED BY OR DISCLOSED TO OTHER EXCEPT AS EXPRESSLY AUTHORIZED BY CORE INDUSTRIES, INC., D.B.A. STAR TRAC.

CLASS OF WORK	UNLESS OTHERWISE SPECIFIED DIMS ARE IN mm. TOLERANCES FOR MEASURE OF LENGTH ARE:							ANGLES = ±2°
	0.5 to 3	> 3 to 6	> 6 to 30	> 30 to 120	> 120 to 400	> 400 to 1000	> 1000 to 2000	
FINE	±0.05	±0.05	±0.1	±0.15	±0.2	±0.3	±0.5	----
MEDIUM X	±0.1	±0.1	±0.2	±0.3	±0.5	±0.8	±1.2	±2
COARSE	±0.2	±0.3	±0.5	±0.8	±1.2	±2	±3	±4
VERY COARSE	----	±0.5	±1	±1.5	±2.5	±4	±6	±8

MATERIAL
SEE BOM

FINISH
N/A

VENDOR: _____ P/N: _____

THIRD ANGLE PROJECTION		
DRAWN	INITIAL	DATE
CHECKED		
APPROVED		
	U.O.M.	MM

CORE INDUSTRIES, INC. DBA

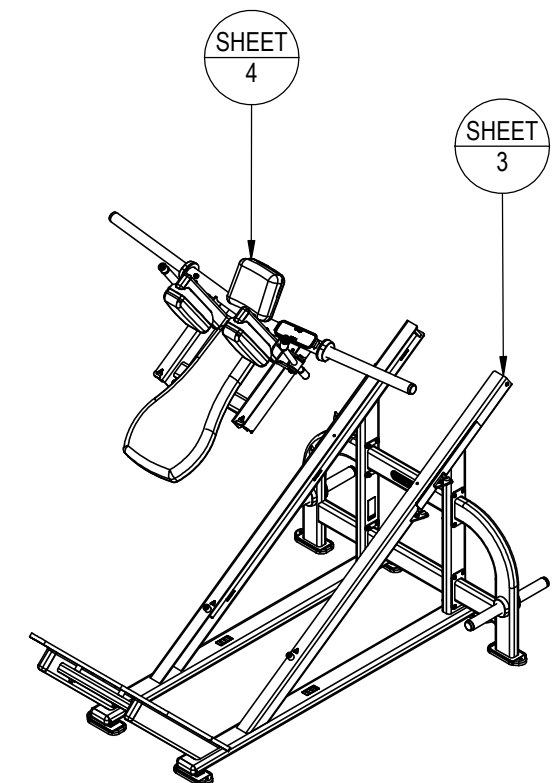
 14410 Myford Road
 Irvine CA 92606

STARTRAC PART NO: **IP-L1130-XXXXS** REV: **A**

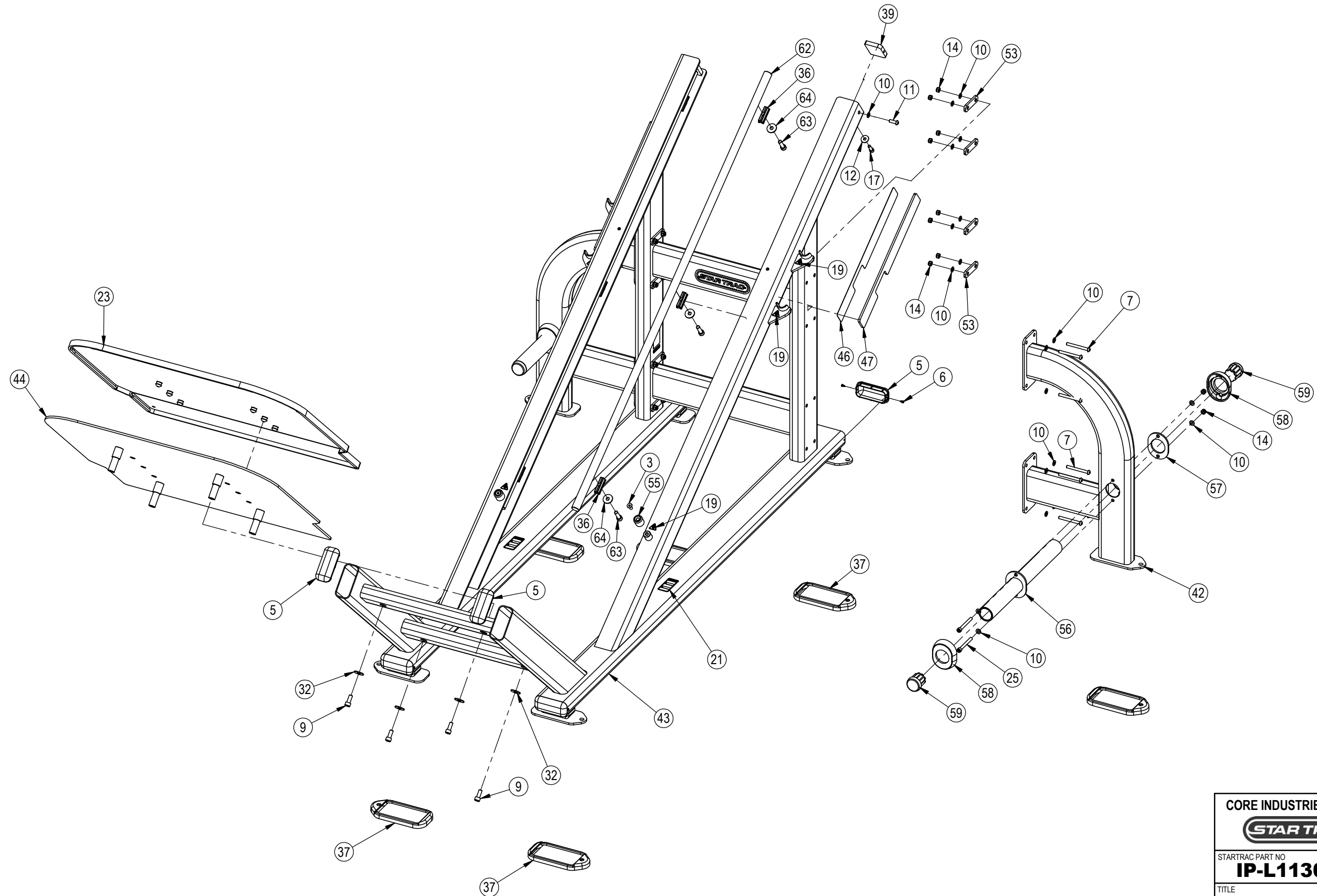
TITLE: **IP,LEV,HACK SQUAT (LINEAR)**

SCALE: 1:20 SHEET 1 OF 4 SHEET SIZE: B

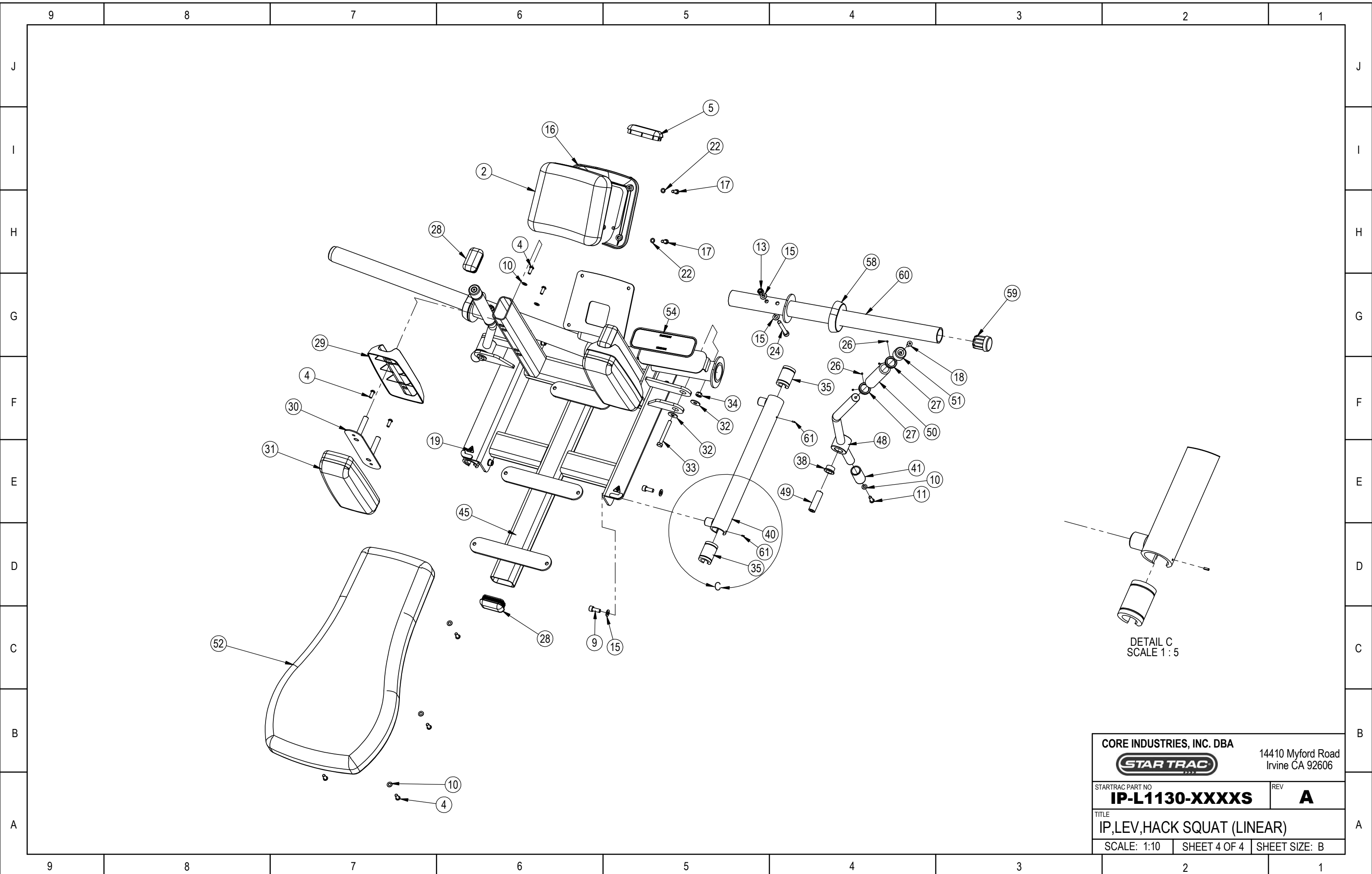
9				8				7				6				5				4				3				2				1			
ITEM NO.	PART NUMBER	DESCRIPTION	QTY.	ITEM NO.	PART NUMBER	DESCRIPTION	QTY.	ITEM NO.	PART NUMBER	DESCRIPTION	QTY.	ITEM NO.	PART NUMBER	DESCRIPTION	QTY.	ITEM NO.	PART NUMBER	DESCRIPTION	QTY.	ITEM NO.	PART NUMBER	DESCRIPTION	QTY.	ITEM NO.	PART NUMBER	DESCRIPTION	QTY.	ITEM NO.	PART NUMBER	DESCRIPTION	QTY.				
J	1	050-2125-10	1	46	731-4465	WEAR GUARD, HACK SQUAT, TAPE	2																									J			
	2	731-0022-00XX	1	47	731-4466	WEAR GUARD, HACK SQUAT, UHMW	2																									I			
	3	731-0120	2	48	731-4467-XX	WELDMENT,SAFTEY STOP,HACK	2																												
	4	731-0169	14	49	731-4470	SHAFT,PIVOT,HACK	2																												
I	5	731-0209	7	50	731-4471	GRIP,RUBBER,HACK	2																												
	6	731-0225	8	51	731-4473	END CAP	2																												
	7	731-0235	16	52	731-4600-00XX	ASSY,BACK REST, STD,ONE COLOR	1																												
	8	731-0335	1	53	731-4777	PLATE,MOUNT,WEIGHT ST.,SMALL	8																												
	9	731-0350	8	54	731-4879	PLACARD,ANG. HACK SQUAT,LEVERAGE	1																												
H	10	731-0355	54	55	731-5167	STOP COVER,LEVERAGE	2																												
	11	731-0359	4	56	731-5250	WELD, WGT HOLDER, 45LB	2																												
	12	731-0360	2	57	731-5251-XX	PLATE,MOUNT,WGT HOLDER	2																												
	13	731-0363	2	58	731-5259	BUMPER,STOP,WGT	6																												
G	14	731-0365	20	59	731-5272	CAP,PLUG,WEIGHT HORN,BLANK	6																												
	15	731-0367	8	60	731-5369	WELD,LEG PRESS,WT HORN,CHROME	2																												
	16	731-0383	1	61	731-5483	3x8mm PIN	4																												
	17	731-0390	6	62	731-5485	ROD,GUIDE,25mm x 1524,THRD	2																												
	18	731-0397	2	63	731-5559	SCREW, M10 X 1.5, 35mm, SHC, HK, CS, NP	6																												
F	19	731-0512	8	64	740-7846	WASHER, 10.5mm ID X 30mm OD X 2.5mm THK	6																												
	20	731-0513	1																																
	21	731-0517	2																																
	22	731-0561	4																																
	23	731-0797	1																																
E	24	731-1043	2																																
	25	731-1450	4																																
	26	731-1785	8																																
	27	731-1917	4																																
	28	731-2073	3																																
D	29	731-2258	2																																
	30	731-2259	2																																
	31	731-2285-00XX	2																																
	32	731-2346	8																																
	33	731-2400	2																																
C	34	731-2420	2																																
	35	731-2434	4																																
	36	731-2500	6																																
	37	731-2647	6																																
	38	731-3320	4																																
B	39	731-4347	2																																
	40	731-4357	2																																
	41	731-4378	2																																
	42	731-4381	2																																
A	43	731-4444-XX	1																																
	44	731-4454	1																																
	45	731-4457-XX	1																																



CORE INDUSTRIES, INC. DBA		14410 Myford Road Irvine CA 92606	
STARTRAC			
STARTRAC PART NO	IP-L1130-XXXXS		REV A
TITLE IP,LEV,HACK SQUAT (LINEAR)			
SCALE: 1:33.3	SHEET 2 OF 4	SHEET SIZE: B	



CORE INDUSTRIES, INC. DBA		14410 Myford Road Irvine CA 92606	
STAR TRAC			
STARTRAC PART NO	IP-L1130-XXXXS		REV A
TITLE IP,LEV,HACK SQUAT (LINEAR)			
SCALE: 1:12	SHEET 3 OF 4	SHEET SIZE: B	



CORE INDUSTRIES, INC. DBA		14410 Myford Road Irvine CA 92606	
STAR TRAC			
STARTRAC PART NO	IP-L1130-XXXXS		REV A
TITLE IP,LEV,HACK SQUAT (LINEAR)			
SCALE: 1:10	SHEET 4 OF 4	SHEET SIZE: B	